

**desco drill rig**

Desco Inc.(HQ/Manufacturer)  
HEAD OFFICE: 1240-1, Ok-Dong, Gwangsan, Gwangju, Korea  
TEL : 82.62.952.4564 / FAX : 82.62.953.1593

EXPORT DIVISION  
2607 jidong, Lottecastle, 76, Soongin-Dong, Jongno-Gu, Seoul, Korea  
TEL : 82-2-3670 6400 / FAX : 82-2-3670 6399  
E-mail : desco@desco-inc.com



# SP6500S

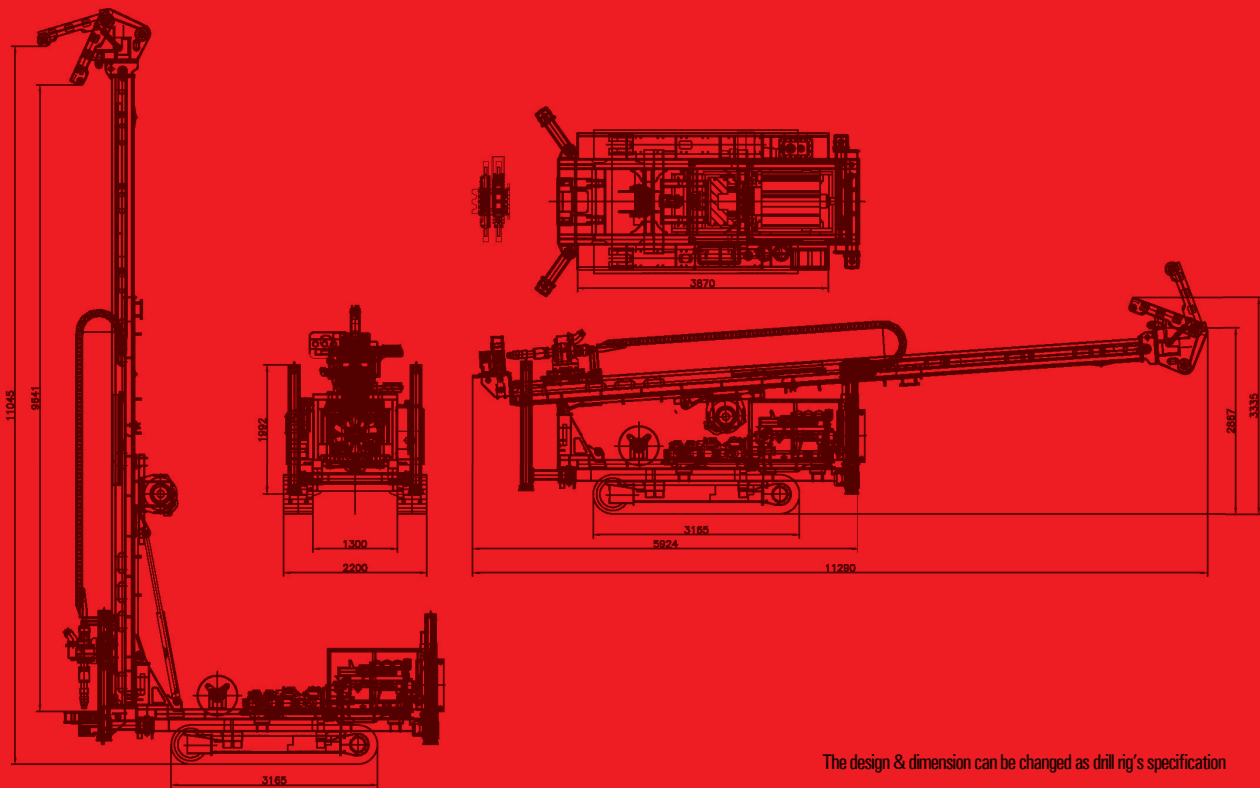
## Exploration Drilling Equipment



# SP6500S (Most standard)

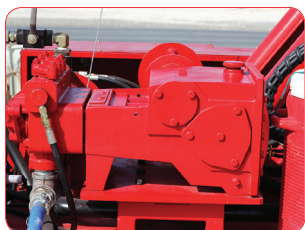
As one of the most standard drills upto HQ-700M depth for exploration diamond drilling, SP6500S surface coring drill is an advanced addition to the SP-S series featuring a telescopic and dump mast. SP6500S is capable of both wireline and conventional coring, as well as DTH, rotary drilling methods with pullback capacity of 16 ton and a torque can be increased. Compactable size enables drillers to easily operate & manage in working place. SP6500S can also include an advanced rod management system that ensures safe and efficient operation. A radio remote safely positions the driller away from the rig during traveling.

- \* SP6500S for exploration diamond drilling
- \* Design for drilling up to NQ 1300M & HQ 700M
- \* Diamond drilling methods (Main)
- \* Wireline system
- \* Percussion & rotary drilling methods (Additional)
- \* Vertical, Angle Drilling (45 degree - 90 degree) capability
- \* Foot clamping system
- \* All instrument & control levers are concentrated.
- \* Mounted full package on drill rig
- \* Self-loading system
- \* Installed major hyd. Parts so easy to find spare parts in the market
- \* Options - inverter, auto rod changer, pre-heating system, wireless remote control and so on



The design & dimension can be changed as drill rig's specification

If you want the kind of drill rigs,  
**DESCO INC.** is at your solution and service.



**desco** drill rig

## TECHNICAL SPECIFICATION

### Top head rotation

Rotation torque  
Rotation speed  
Rotation speed & torque can be controlled

### Two speed motors

500kg.M (low) / 80kg.M (high)  
0 ~ 100 rpm (low) / 0 ~ 1200 (high)

### Feed System

Feed system type  
Feed hydraulic cylinder  
Feed stroke  
Pull-back force  
Down force

Variable Speed Hydraulic Cylinder  
120mm\*90mm\*3500mm  
7.0M (Drill Pipe - Max. 6.0M)  
16ton  
8ton

### Dimension & Weight

Net weight  
Width  
Length (mast folded / unfolded)  
Height (mast folded / unfolded)

10.5ton  
2.2M  
10.5M  
2.6M

### Engine

Engine model  
Engine power  
Cooling system  
Fuel tank  
Electrical system

Hyundai D6BT  
175HP@1800rpm  
Water  
300 Liters  
24V DC

### Hydraulic system

General  
Pump model  
System hyd. oil flow  
Hydraulic tank  
Operating pressure

Single variable displacement pump, pressure & flow controlled  
K3V112\*2+28\*2 (4 pumps)  
390 LPM  
300 Liters  
280 Bar

### Working table & hyd. clmap

Foot clamping system  
Max. diameter  
Hyd clamp

8"  
8"

### Outrigger (Self-loading system)

Four hyd. Jacks & outriggers - Front jacks & outriggers (swing 45<sup>0</sup>)  
Ground clearance  
Width

1430mm  
3000mm

### Crawler base

Doosan model (Steel)

### Main hoist

Hoist type  
Linepull capacity  
Spool capacity  
Wire line

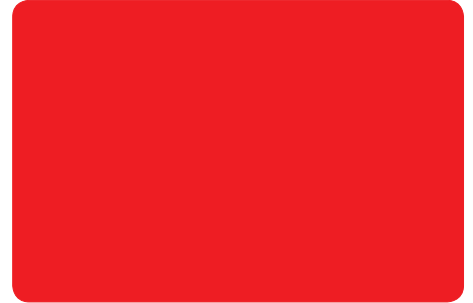
Variable speed planetary c/w brake  
5ton  
12mm \* 25M  
Drum for 1000M \* Dia 5mm (700kg)

### Mud pump

Hydraulic cylinder operated duplex piston pump  
Capacity  
Max. pressure

300 LPM  
40 bar

# If you want the kind of drill rigs, DESCO INC. is at your solution and service.



## STANDARD / OPTIONAL

	STANDARD	OPTIONAL	OPTIONAL REQUEST
<b>Drill head</b>			
Drill head	DSDH-900F		
Drill head - sliding	0		
<b>Feed system</b>			
Mast slide (dump up and down)	0		
Bolted mast foot	0		
Control panel	0		
<b>Hydraulic system</b>			
Auxiliary hydraulic ports		0	
<b>Hydraulic breakout table</b>			
Max. diameter	max. 8"	over 8"	
Single clamp		0	
Double clamp	0		
<b>Crawler base</b>			
Steel track	0		
Steel track with rubber pad		0	
<b>Main hoist</b>			
Main winch	max. 5ton	over 5ton	
Jib with winch		0	
Wireline	0		
<b>Mud pump</b>			
Capacity	300LPM		
Design for angle drilling		0	
Foot clamping system	0		
Water injection pump	0		
Triplex mud pump		0	
DTH oil lubricator		0	
Auto rod changer		0	
Preheating system		0	
Wireless remote travel		0	
Safety cage		0	

**Notice** As your optional list, engine, hyd. system, crawler and so on can be changed and design of drill rigs can be changed.

Specifications are general and subject to change without notice. Due to selected options, delivered equipment may not necessarily match that shown.

