

desco drill rig

Desco Inc.(HQ/Manufacturer)

HEAD OFFICE: 1240-1, Ok-Dong, Gwangsan, Gwangju, Korea

TEL : 82.62.952.4564 / FAX : 82.62.953.1593

EXPORT DIVISION

2607 jidong, Lottecastle, 76, Soongin-Dong, Jongno-Gu, Seoul, Korea

TEL : 82-2-3670 6400 / FAX : 82-2-3670 6399

E-mail : desco@desco-inc.com

SP7000S

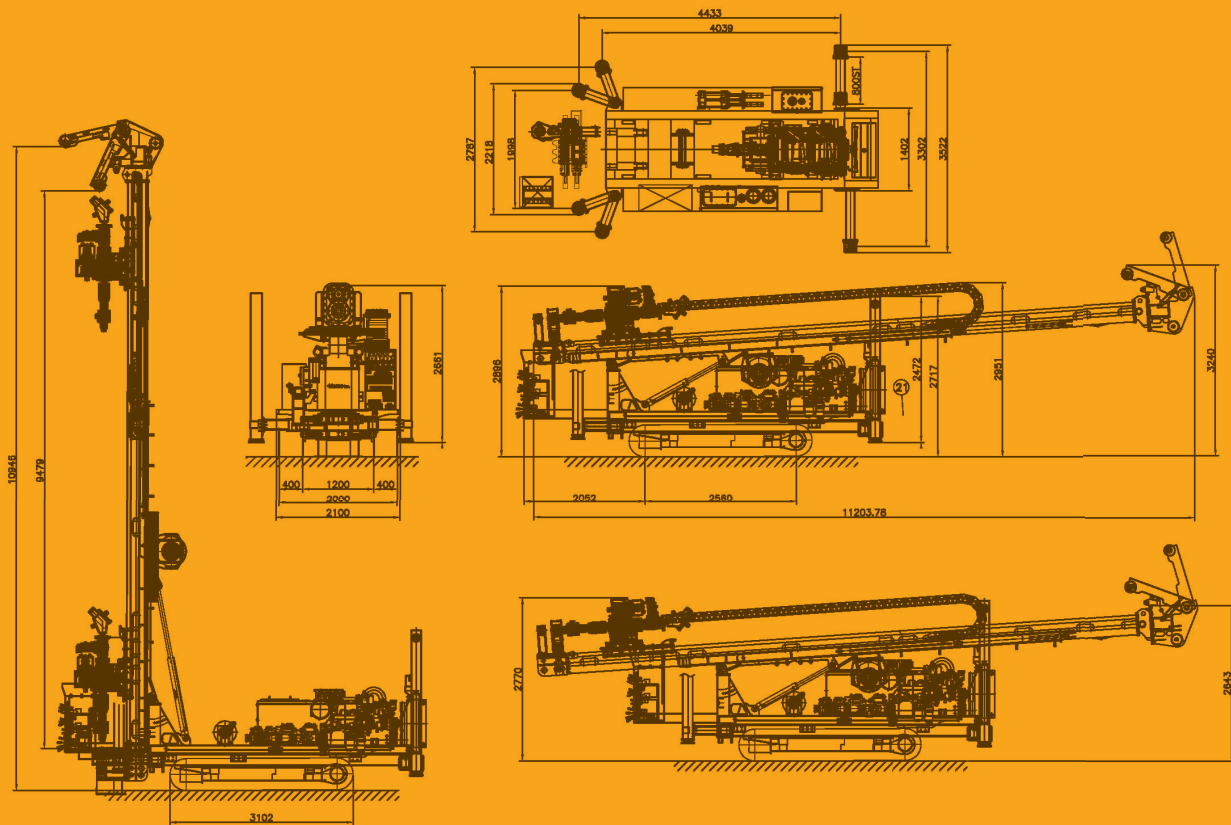
Deep Exploration Drilling Equipment



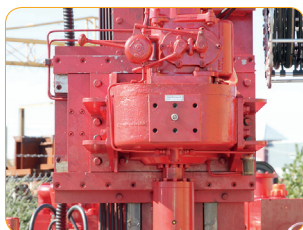
SP7000S (Deep exploration diamond drilling)

As one of the most standard drills upto HQ-1300M depth for exploration diamond drilling, SP7000S surface coring drill is an advanced addition to the SP-S series featuring a telescopic and dump mast. SP7000S is capable of both wireline and conventional coring, as well as DTH, rotary drilling methods with pullback capacity of 25 ton and a torque can be increased. Compactable size enables drillers to easily operate & manage in working place. SP7000S can also include an advanced rod management system that ensures safe and efficient operation. A radio remote safely positions the driller away from the rig during traveling.

- * SP7000S for exploration diamond drilling
- * Design for drilling up to HQ 1300M
- * Diamond drilling methods (Main)
- * Wireline system
- * Percussion & rotary drilling methods (Additional)
- * Vertical, Angle Drilling (45 degree - 90 degree) capability
- * Foot clamping system
- * All instrument & control levers are concentrated.
- * Mounted full package on drill rig
- * Self-loading system
- * Installed major hyd. Parts so easy to find spare parts in the market
- * Options - inverter, auto rod changer, pre-heating system, wireless remote control and so on



If you want the kind of drill rigs,
DESCO INC. is at your solution and service.



desco drill rig

TECHNICAL SPECIFICATION

Top head rotation

Rotation torque
Rotation speed
Rotation speed & torque can be controlled

Two speed motors

500kg.M (low) / 120kg.M (high)
0 ~ 100 rpm (low) / 0 ~ 1200 (high)

Feed System

Feed system type
Feed hydraulic cylinder
Feed stroke
Pull-back force
Down force

Variable Speed Hydraulic Cylinder
150mm*110mm*3750mm
7.5M (Drill Pipe - Max. 6.0M)
25ton
12ton

Dimension & Weight

Net weight
Width
Length (mast folded / unfolded)
Height (mast folded / unfolded)

16.5ton
2.3M
10.5M
2.8M

Engine

Engine model
Engine power
Cooling system
Fuel tank
Electrical system

Hyundai D6AZ
270HP@1800rpm
Water
300 Liters
24V DC

Hydraulic system

General
Pump model
System hyd. oil flow
Hydraulic tank
Operating pressure

Single variable displacement pump, pressure & flow controlled
K3V112*2+28*2 (4 pumps)
480 LPM
400 Liters
280 Bar

Working table & hyd. clmap

Foot clamping system
Max. diameter
Hyd clamp

8"
8"

Outrigger

Four hyd. Jacks & outriggers - Front jacks & outriggers (swing 45°)
Ground clearance
Width

800mm
3000mm

Crawler base

Doosan model (Steel)

Main hoist

Hoist type
Linepull capacity
Spool capacity
Wire line

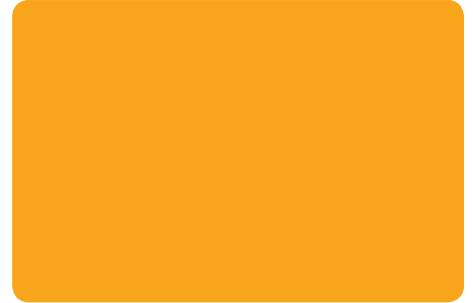
Variable speed planetary c/w brake
10ton
14mm * 30M
Drum for 1300M * Dia 6mm (900kg)

Mud pump

Hydraulic cylinder operated duplex piston pump
Capacity
Max. pressure

300 LPM
40 bar

If you want the kind of drill rigs, DESCO INC. is at your solution and service.



STANDARD / OPTIONAL

	STANDARD	OPTIONAL	OPTIONAL REQUEST
Drill head			
Drill head	DSDH-900F		
Drill head - sliding	0		
Feed system			
Mast slide (dump up and down)	0		
Bolted mast foot	0		
Control panel	0		
Hydraulic system			
Auxiliary hydraulic ports		0	
Hydraulic breakout table			
Max. diameter	max. 8"	over 8"	
Single clamp		0	
Double clamp	0		
Crawler base			
Steel track	0		
Steel track with rubber pad		0	
Main hoist			
Main winch	max. 10ton	over 10ton	
Jib with winch		0	
Wireline	0		
Mud pump			
Capacity	300LPM		
Design for angle drilling		0	
Foot clamping system	0		
Water injection pump	0		
Triplex mud pump		0	
DTH oil lubricator		0	
Auto rod changer		0	
Preheating system		0	
Wireless remote travel		0	
Safety cage		0	

Notice As your optional list, engine, hyd. system, crawler and so on can be changed and design of drill rigs can be changed.

Specifications are general and subject to change without notice. Due to selected options, delivered equipment may not necessarily match that shown.

